



RCPWT63 — Wainwright 6' Picnic Table Set

6' picnic table plus two 6' flat benches with recycled plastic tabletop and seat planks, portable or surface mount steel frame and legs.



Material

The table is 72" in length and comes with two independent 72" long benches. The tabletop and seats are made of 1.5" x 3.5" (2" x 4" nominal dimensions) recycled plastic planks. The center plank of the tabletop is 1.5" x 5.75" (2" x 6" nominal dimensions) and features a 2" diameter umbrella hole. The tabletop is designed to support 100 lbs. per square foot and the seats will support 200 lbs. per linear foot.

The frames are made of .38" thick x 4" wide formed steel. Wide 4" steel band wraps the table and bench ends and joins to the heavy-duty frame. Table and benches are designed to be portable for flexibility in placement or surface mounted using pre-drilled .50" diameter holes in feet to prevent movement; mounting hardware is not included.

The planks are made of 95% recycled content by weight and are impervious to moisture and corrosion, do not require the application of sealants or preservatives, and will never need painting for staining throughout the product's life.

Finish

Fade-resistant, powder coated steel frame features a state-of-the-art primer proven to prevent rusting. Treated components exceed the industry standard by 34% in testing by independent sources.

Color

See website or sales representative for color choices.

Accessories

9' Premium Fabric Color Umbrella	9LPU-CPC
9' Standard Fabric Color Umbrella	9LPU-CSC
11" Dia. Umbrella Stand	UB11
15" Dia. Umbrella Stand	UB15

Assembly

The table set requires some assembly. Stainless steel assembly hardware is included.

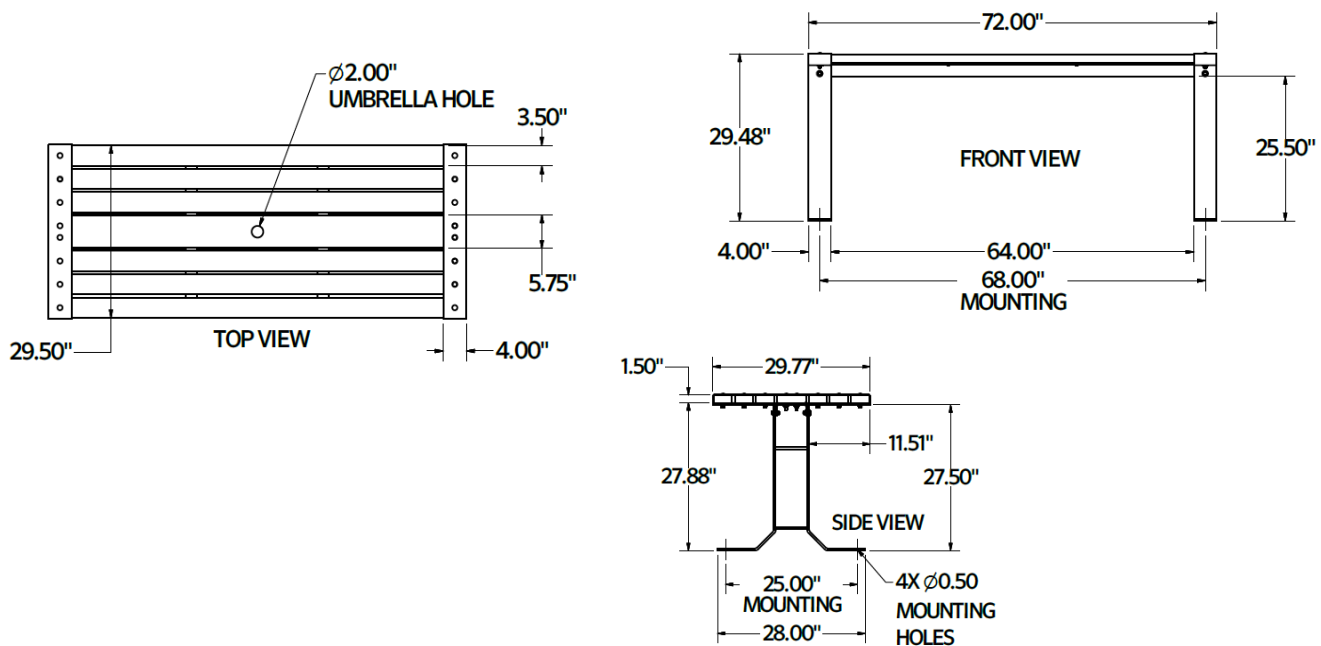
Maintenance

The product is virtually maintenance-free and requires only periodic cleaning with a sponge and a solution of mild detergent and water to remove surface dirt. Do not clean with solvent or petroleum base products.

Warranty

20-year limited structural warranty on recycled plastic from the date of purchase. See full details on multi-year warranties for components at www.anovafurnishings.com/warranty.aspx.

Table Specifications





RCPWT63 — Wainwright 6' Picnic Table Set

72" Bench Specifications

