



TROPICAL J's
INCORPORATED



1052 Ulupono Street
Honolulu, HI 96819
Office: **808.848.0888**
Lic# C-23241
www.TropicalJs.com

MARKET UMBRELLAS

MADE IN HAWAII, MADE FOR HAWAII

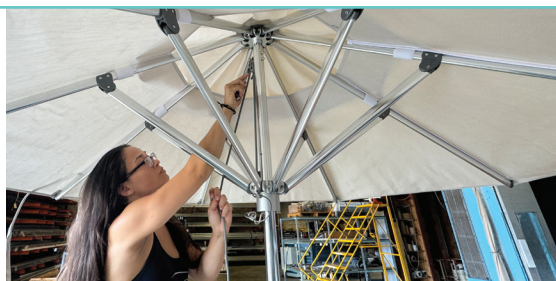
For more than three decades, Tropical J's has specialized in crafting premium umbrellas tailored specifically for Hawaii's unique environment. Building on our extensive expertise, we're proud to introduce a new umbrella line in 2024, featuring products that combine exceptional beauty with outstanding performance. This new line offers quality metal frames with two types of covers, including a premium cover we manufacture at our factory in Hawaii.

This document is your key to selecting the perfect umbrella size, shape and series for your property. While your salesman will finalize and ensure the success of your choices, we invite you to dive into the options available to you. The six points of customization on the right break down the critical decisions needed to pair you with the perfect umbrella.

LOCAL SERVICE

Parts and service are finally **simple and affordable!**

We prioritized service by choosing a product that can be easily repaired by our team or yours. Parts are inexpensive and stocked locally; allowing a quick do it yourself repair.



CUSTOMIZATION POINTS

1. SERIES



2. SIZE/SHAPE



3. FRAME FINISH



4. FINIAL



5. UMBRELLA COVER



6. BASE



Quote requests and project galleries at tropicaljs.com



SERIES

Our umbrellas are available in 7 different sizes. These sizes are split into two groups which we call the umbrella series. Each of the two series has a slightly different pole, rib and spar size. In each series, the pole size and the closed height are the variables that may affect whether or not the umbrella can be used with existing furniture.



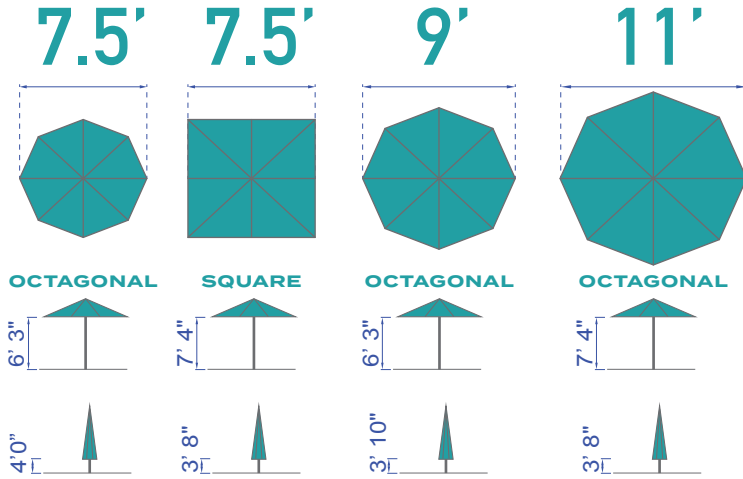
LEHUA

1-1/2" POLE

- **1-1/2" diameter pole** designed to fit most tables with an umbrella hole
- Single pulley system for opening and closing
- Available in single and two-part poles
- 4 different sizes.



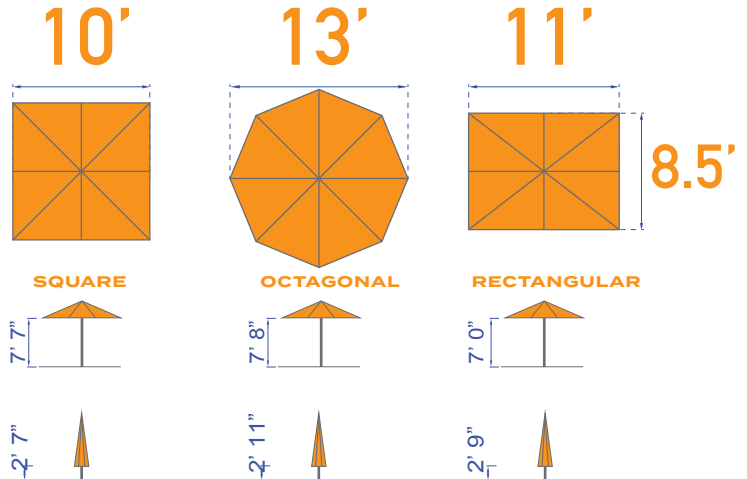
SIZE/SHAPE



BANYON

2" POLE

- **2" diameter pole** that may fit into tables with a larger umbrella hole or be used as a stand-alone unit
- Double pulley system for opening and closing
- Available in single-part pole
- 3 different sizes



FRAME FINISH

The frame finish is the color of the pole and ribs. The standard frame finish is available in Brushed Silver. For an up-charge, the premium frame finish offers 7 additional frame color options.

STANDARD



PREMIUM





FINIAL

The acorn on top of the umbrella pole, known as the finial, secures the cover to the frame. For durability in Hawaii's harsh UV environment, we recommend the stainless steel Vertex finial. A chrome ball finial is also available.

VERTEX



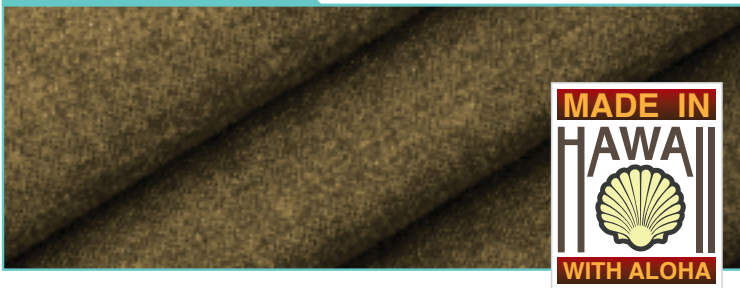
BALL



UMBRELLA COVER

We offer two types of umbrella covers: Standard and Premium. The standard cover is a lower cost cover that the manufacturer of the umbrella frame makes. Tropical J's manufactures the premium cover. Both covers are made from 100% solution-dyed acrylic, ensuring consistent color throughout the fabric. These covers are fade and UV resistant, provide superior sun protection and are breathable. Both covers are easy to care for and are resistant to mold, mildew and stains.

PREMIUM COVER



PREMIUM FABRIC

Tropical J's manufactures using Sunbrella fabric, which comes with a 10-year fabric manufacturer's warranty. Sunbrella is an industry trusted brand and we've used it successfully for over 30 years. Available in over 80 colors.

PREMIUM THREAD

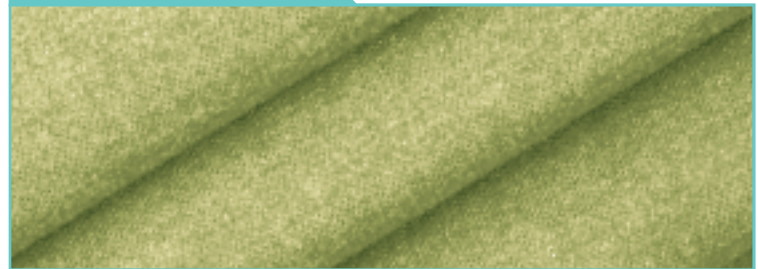
We use Tenara thread, from the maker of Goretex. Tenara is a UV inert thread which means the UV won't damage it. This allows it to easily match the 10 year warranty on the fabric.

PREMIUM WIND VENT

The wind vent provides an escape route for wind, significantly reducing pressure that could potentially damage the frame. The premium covers features a larger wind vent that is sewn with long straps.



STANDARD COVER



STANDARD FABRIC

The standard cover uses Recacril fabric which comes with a 7-year manufacturer's warranty. Limited colors available.

STANDARD THREAD

Coats Dabond is a bonded, twisted continuous filament polyester thread. Standard cover thread carries no warranty.

STANDARD WIND VENT

Standard covers do not have straps. The wind vent is sewn directly to the cover. This cost effective approach minimizes the ability for the wind vent release trapped air which will transfer more stress onto the umbrella frame.





BASES

BASE STYLES:



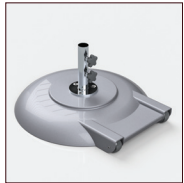
GRANITE - 88 LBS

Base Diameter: 18.5"
 Base Height: 4"
 Riser Height: 17"
 Portable: Yes
 Raises umbrella off ground: 6"



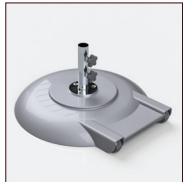
GRANITE - 176 LBS

Base Diameter: 25.5"
 Base Height: 4"
 Riser Height: 17"
 Portable: Yes
 Raises umbrella off ground: 6"



ALUMINUM - 100LBS

Base Diameter: 24"
 Base Height: 3.5"
 Riser Height: 8" or 18"
 Portable: Yes



ALUMINUM - 150 LBS

Base Diameter: 30"
 Base Height: 3.5"
 Riser Height: 8" or 18"
 Portable: Yes



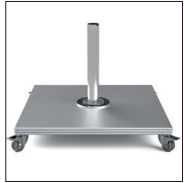
RESIN BASE - 80 LBS

Base Diameter: 20"
 Base Height: 3.5"
 Riser Height: 11.5"
 Portable: Yes



GALV STEEL - 200 LBS

Base Dimensions: 36" x 36"
 Base Height: 1/2"
 Riser Height: 18-1/2"
 Portable: Yes



GALV STEEL - 200LBS W/ WHEELS

Base Dimensions: 36" x 36" W/ WHEELS
 Base Height: 1/2"
 Riser Height: : 18-1/2"
 Portable: Yes



METAL BASE - 10 LBS

Base Dimensions: 7.5" x 7.5"
 Base Height: 1/2"
 Riser Height: 18"
 Portable: No. Stainless all thread is epoxy set to concrete and metal base is bolted to foundation.
 Raises umbrella off ground: 1/2"

Pairing an umbrella with the right umbrella base is one of the most critical decisions for an umbrella. There is a balance between portability and stability. This balance is influenced primarily by the wind exposure in your area, and if the umbrella is free-standing or through a table.

Selecting the right base is essential to ensure the safety and security of the umbrella. The tables below outline the available base options for Lehua and Banyon umbrellas. The blue/red colors in the tables represent what options are appropriate. These are meant as references and your salesman will work with you to identify your site conditions and provide you with the best suggestions we can.



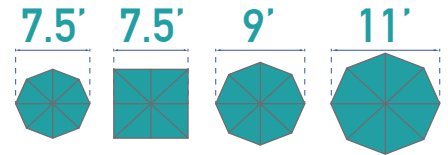
Blue
Works with Table



Red
Works as Freestanding

LEHUA

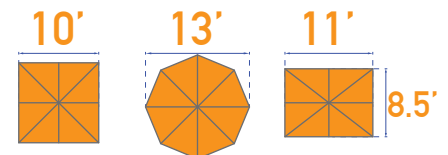
1-1/2" POLE



Granite 88	●●	●●	●	
Granite 176	●●	●●	●●	●●
Aluminum 100	●	●	●	
Aluminum 150	●●	●●	●●	●
Resin Base 80	●	●	●	
Steel 200	●●	●●	●●	●●
Steel Wheels 200	●●	●●	●●	●
Metal 10	●●	●●	●●	●●

BANYON

2" POLE



Granite 88			
Granite 176	●●	●	●
Aluminum 100			
Aluminum 150	●	●	●
Resin Base 80	●	●	●
Steel 200	●●	●●	●●
Steel Wheels 200	●	●	●
Metal 10	●●	●●	●●